

Mounting Hardware

MOUNTING HARDWARE

CLIP Ring – for flat base

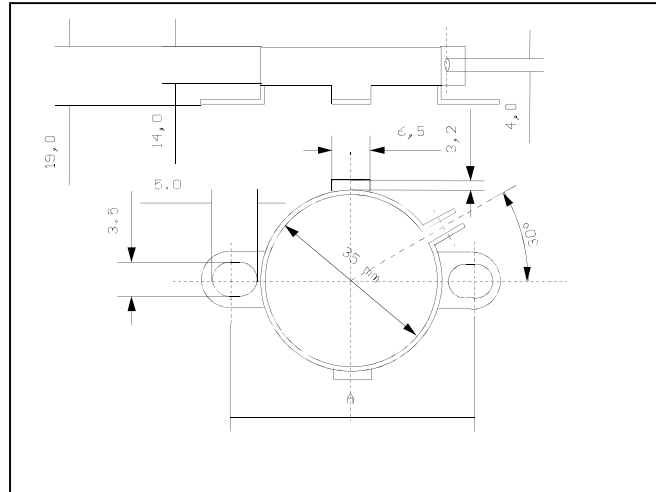


Figure 1

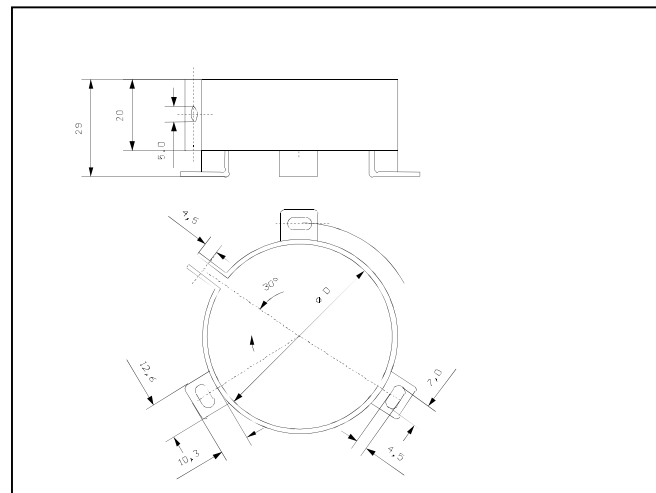


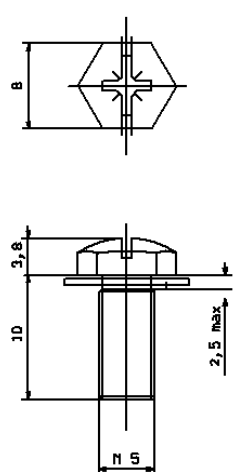
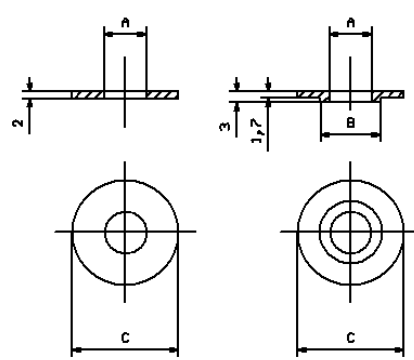
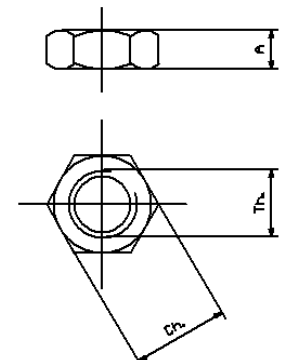
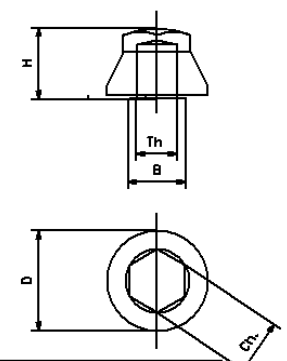
Figure 2

Ring clip code	D	A
ZAF - A	35	46
ZAF - B	51	63,5
ZAF - C	63	76
ZAF - D	76	89
ZAF - E	90	106



MOUNTING HARDWARE

Metal or Plastic - nuts and washers

<p style="text-align: center;">SCREW</p> 	<p style="text-align: center;">INSULATED WASHERS</p>  <table border="1" style="margin: 10px auto; border-collapse: collapse;"> <tr><th>A</th><th>C</th></tr> <tr><td>8</td><td>25</td></tr> <tr><td>12</td><td>35</td></tr> </table> <table border="1" style="margin: 10px auto; border-collapse: collapse;"> <tr><th>A</th><th>B</th><th>C</th></tr> <tr><td>8</td><td>18</td><td>25</td></tr> <tr><td>12</td><td>18</td><td>35</td></tr> </table>	A	C	8	25	12	35	A	B	C	8	18	25	12	18	35																											
A	C																																										
8	25																																										
12	35																																										
A	B	C																																									
8	18	25																																									
12	18	35																																									
<p style="text-align: center;">METAL NUTS</p>  <table border="1" style="margin: 10px auto; border-collapse: collapse;"> <thead> <tr><th>P/N</th><th>Th</th><th>A</th><th>Ch</th></tr> </thead> <tbody> <tr><td>1121</td><td>M8</td><td>18</td><td>17</td></tr> <tr><td>1277</td><td>M12</td><td>18</td><td>19</td></tr> </tbody> </table>	P/N	Th	A	Ch	1121	M8	18	17	1277	M12	18	19	<p style="text-align: center;">PLASTIC HEX NUTS (ON REQUEST)</p>  <table border="1" style="margin: 10px auto; border-collapse: collapse;"> <thead> <tr><th>P/N</th><th>Th</th><th>B</th><th>D</th><th>H</th><th>Ch</th></tr> </thead> <tbody> <tr><td>1210</td><td>M8</td><td>18</td><td>25</td><td>15</td><td>17</td></tr> <tr><td>1126</td><td>M12</td><td>18</td><td>30</td><td>20</td><td>19</td></tr> <tr><td>1502</td><td>M12</td><td>22,5</td><td>30</td><td>18</td><td>19</td></tr> <tr><td>1508</td><td>M12</td><td>30</td><td>38</td><td>18</td><td>19</td></tr> </tbody> </table>	P/N	Th	B	D	H	Ch	1210	M8	18	25	15	17	1126	M12	18	30	20	19	1502	M12	22,5	30	18	19	1508	M12	30	38	18	19
P/N	Th	A	Ch																																								
1121	M8	18	17																																								
1277	M12	18	19																																								
P/N	Th	B	D	H	Ch																																						
1210	M8	18	25	15	17																																						
1126	M12	18	30	20	19																																						
1502	M12	22,5	30	18	19																																						
1508	M12	30	38	18	19																																						

